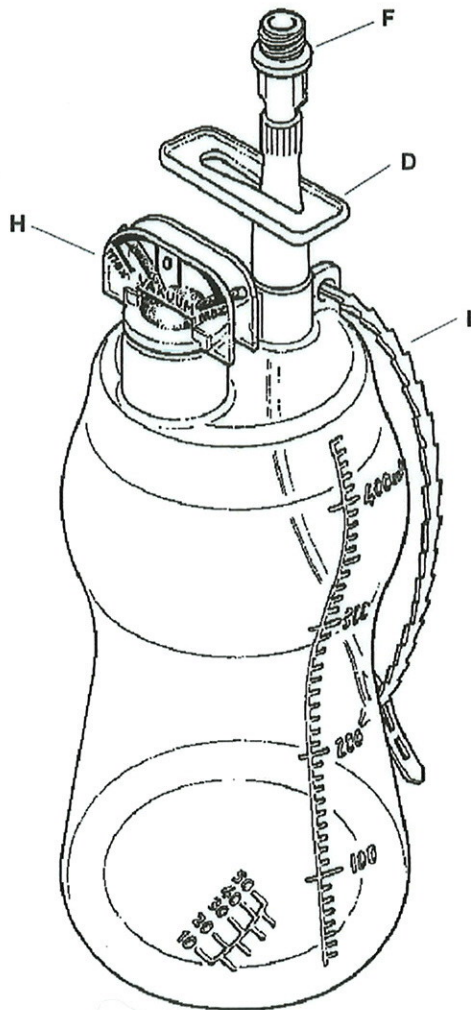


Pre-Vac™ Wound Drainage System 450ml Ward Exchange Unit



- | | |
|-----------------------------------|---------------------------|
| A Selective drain connector* | F Quicklock connector |
| B Introducer needle* | G Connecting tube* |
| C Drain tube* | H Double vacuum indicator |
| D Bottle shut off clamp | I Hanger |
| E Connecting tube shut off clamp* | |

*Items not included with Ward Exchange Unit.

Instructions for use

1. When the existing bottle is full or the vacuum is exhausted (fig.1) close **shut off clamps 'D' and 'E'** (fig.2).
2. Remove the full bottle by unscrewing **quicklock connector 'F'**.
3. Open the new bottle packaging under sterile conditions and remove bottle aseptically.
4. After the bottle has been connected, slide open the **shut off clamps 'D' and 'E'**. (fig.3). Suction will commence.

fig.1 Double vacuum indicator

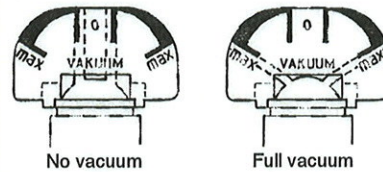


fig.2

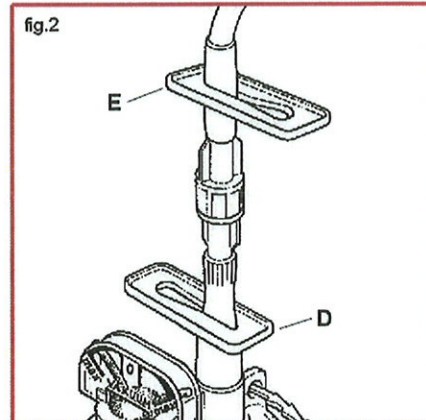
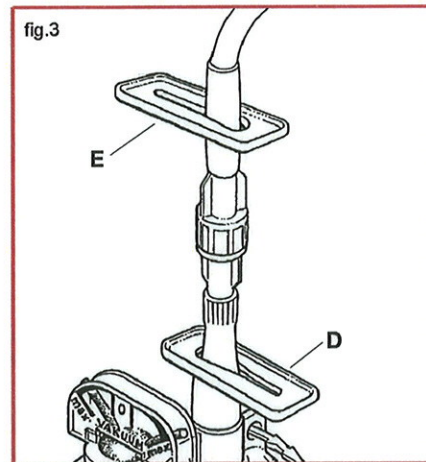
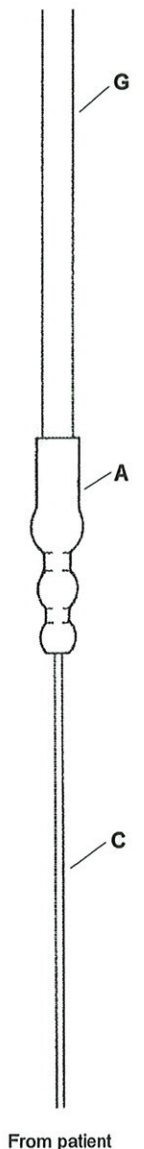


fig.3



From bottle



Recommended procedure for the complete removal of Pre-Vac wound drainage system from patient

This procedure should be carried out aseptically, wearing gloves.

1. Close off entry to bottle by using the sliding **shut off clamp 'D'**.
2. Close off **drain 'C'** with Spencer Wells forceps.
3. Close off connecting tube with sliding **shut off clamp 'E'**.
4. Unscrew **quicklock connector 'F'** and detach bottle from tubing.
5. Open and close the sliding **shut off clamp 'E'** on the connecting tube.
6. Leaving **drain 'C'** clamped with forceps, remove the **connecting tube 'G'** from the drain and discard.
7. Wait 20 - 30 minutes. Then gently remove drain from the wound and discard.

This procedure should prevent tissue drag and allow the drain to be removed without undue difficulty.