

Pre-Vac™ Wound Drainage System 450ml Complete Theatre Unit

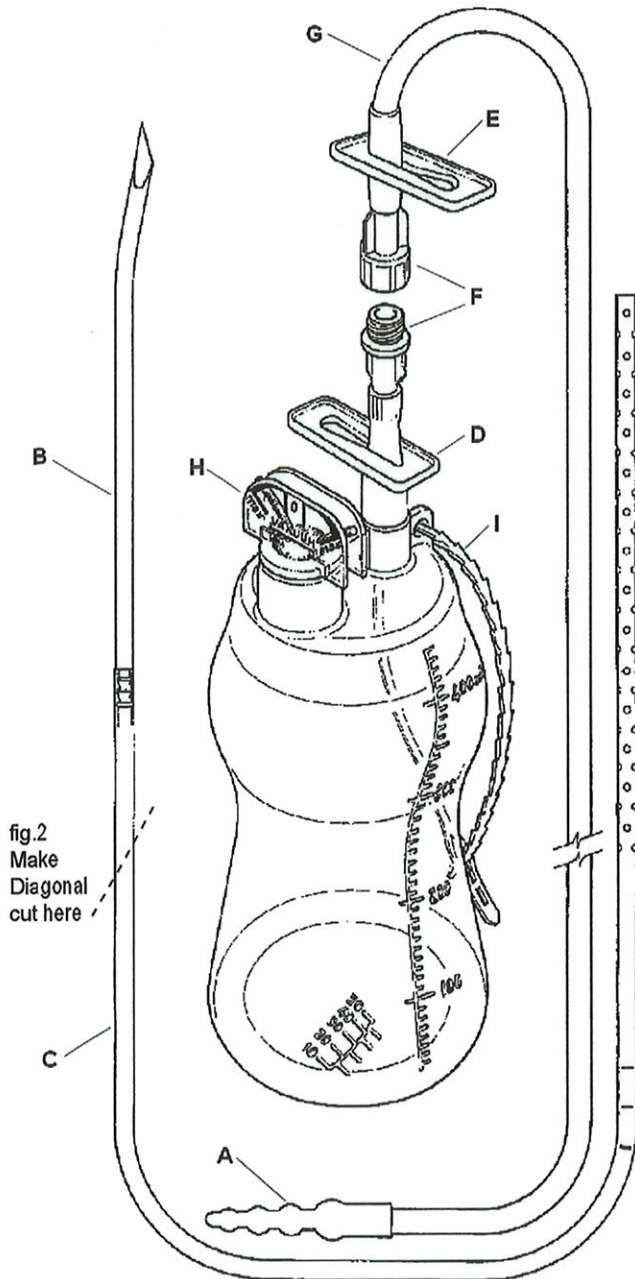
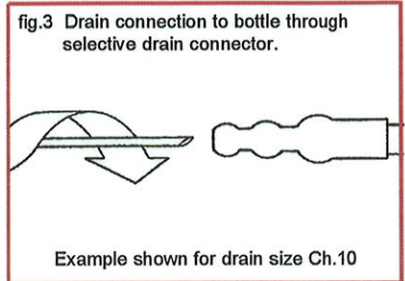
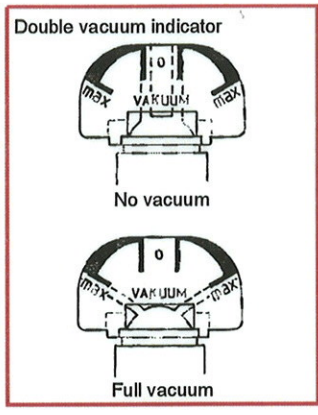
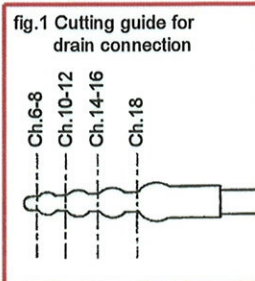
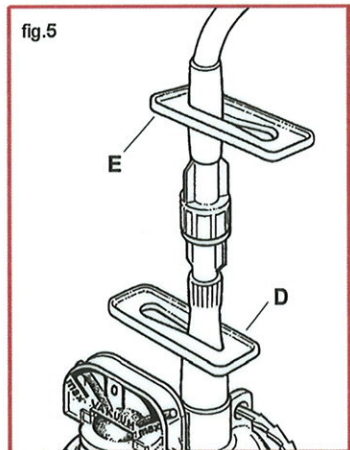
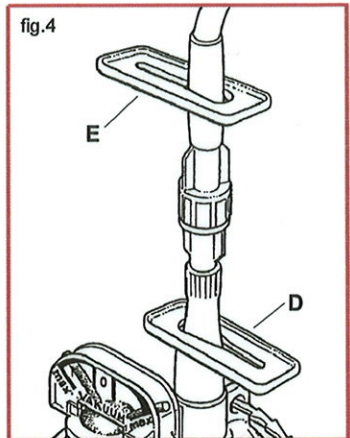


fig.2
Make
Diagonal
cut here



Example shown for drain size Ch.10



- A Selective drain connector
- B Introducer needle
- C Drain tube
- D Bottle shut off clamp
- E Connecting tube shut off clamp
- F Quicklock connector
- G Connecting tube
- H Double vacuum indicator
- I Hanger

Instructions for use

1. Open the packaging under sterile conditions.
2. Remove bottle aseptically.
3. Select catheter size required and cut **selective drain connector 'A'** as required. (see cutting guide - fig.1)
4. After introduction of drain, cut diagonally through the tubing below the **introducer needle 'B'** (fig.2). Connect **drain 'C'** to the bottle by gently twisting the drain into the **selective drain connector 'A'** (fig.3)
5. Slide open the **shut off clamp 'D'** on bottle neck and suction will commence. (fig.4.)
6. When exchanging full bottle, close **shut off clamps 'D' and 'E'** (fig.5)
7. Remove the full bottle by unscrewing the **quicklock connector 'F'** and replace with new bottle.
8. After the new bottle has been connected, slide open the **shut off clamps 'D' and 'E'**. (fig.4). Suction will commence.

Recommended procedure for the complete removal of Pre-Vac wound drainage system from patient

This procedure should be carried out aseptically, wearing gloves.

1. Close off entry to bottle by using the sliding **shut off clamp 'D'**.
2. Close off **drain 'C'** with Spencer Wells forceps.
3. Close off connecting tube with sliding **shut off clamp 'E'**.
4. Unscrew **quicklock connector 'F'** and detach bottle from tubing.
5. Open and close the sliding **shut off clamp 'E'** on the connecting tube.
6. Leaving **drain 'C'** clamped with forceps, remove the **connecting tube 'G'** from the drain and discard.
7. Wait 20 - 30 minutes. Then gently remove drain from the wound and discard.

This procedure should prevent tissue drag and allow the drain to be removed without undue difficulty.