

## Econo-Vax™ Wound Drainage System 400ml Complete Theatre Unit

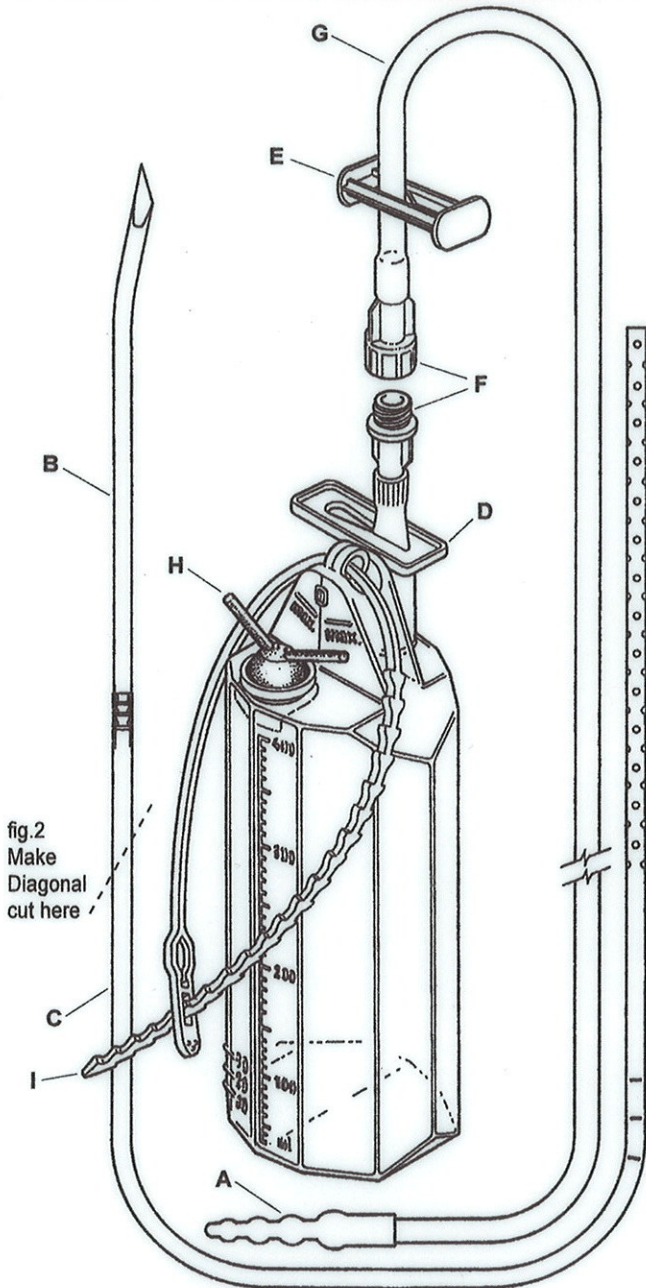


fig.2  
Make  
Diagonal  
cut here

fig.1 Cutting guide for  
drain connection

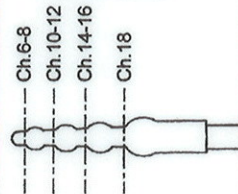
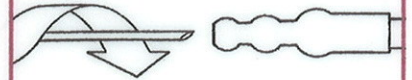


fig.3 Drain connection to bottle through  
selective drain connector.



Example shown for drain size Ch.10

Double vacuum indicator

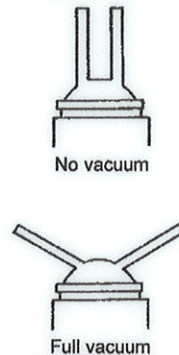


fig.4

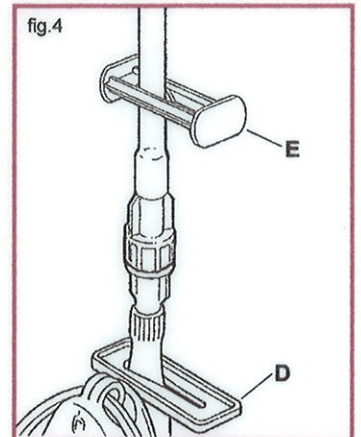
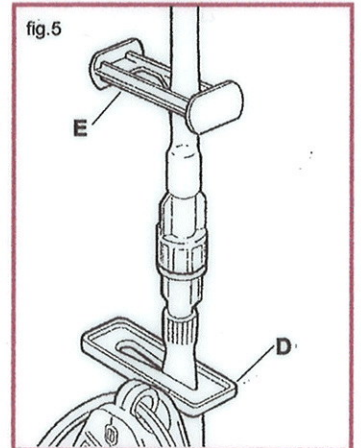


fig.5



- A Selective drain connector
- B Introducer needle
- C Drain tube
- D Bottle shut off clamp
- E Connecting tube shut off clamp
- F Quicklock connector
- G Connecting tube
- H Double vacuum indicator
- I Hanger

### Instructions for use

1. Open the packaging under sterile conditions.
2. Remove bottle aseptically.
3. Select catheter size required and cut selective drain connector 'A' as required. (see cutting guide - fig.1)
4. After introduction of drain, cut diagonally through the tubing below the introducer needle 'B' (fig.2). Connect drain 'C' to the bottle by gently twisting the drain into the selective drain connector 'A' (fig.3)
5. Slide open the shut off clamp 'D' on bottle neck and suction will commence. (fig 4.)
6. When exchanging full bottle, close shut off clamps 'D' and 'E' (fig.5)
7. Remove the full bottle by unscrewing the quicklock connector 'F' and replace with new bottle.
8. After the new bottle has been connected, slide open the shut off clamps 'D' and 'E'. (fig.4). Suction will commence.

### Recommended procedure for the complete removal of Econo-Vax wound drainage system from patient

This procedure should be carried out aseptically, wearing gloves.

1. Close off entry to bottle by using the sliding shut off clamp 'D'.
2. Close off drain 'C' with Spencer Wells forceps.
3. Close off connecting tube with sliding shut off clamp 'E'.
4. Unscrew quicklock connector 'F' and detach bottle from tubing.
5. Open and close the sliding shut off clamp 'E' on the connecting tube.
6. Leaving drain 'C' clamped with forceps, remove the connecting tube 'G' from the drain and discard.
7. Wait 20 - 30 minutes. Then gently remove drain from the wound and discard.

This procedure should prevent tissue drag and allow the drain to be removed without undue difficulty.