

medisun® 2800 Innovation

PROFESSIONAL FULL-BODY PHOTOTHERAPY



The innovative UV therapy
device for treatment of all
UV-sensitive skin diseases

Distributed in the UK by

ATHRODAX
HEALTHCARE INTERNATIONAL LTD

medisun® 2800 Innovation

PROFESSIONAL FULL-BODY PHOTOTHERAPY

The **medisun® 2800 Innovation** is a UV therapy device for treatment of all UV-sensitive skin diseases. Operation and control take place through a touch screen panel PC which is integrated into the door module. UVA, UVB311, or a combined exposure is possible.

The patients will stand in the middle of the UV cabin during treatment. The UV lamps are equally arranged all around, ensuring homogeneous dosage. The door can be installed on the left or right as desired.



HIGHLIGHTS

- 20, 24 or 44 UV-lamps at 100 W each
- 180 cm lamp length
- UVB311, (P)UVA-, UVA1, or combined spectrum
- Integrated 10.4" Touch-PC-control with dosage preselection in J/cm²
- Pause function when opening the door
- 2-fold patient ventilation system
- 4 UV-sensors for redundant permanent measurement
- Optimised lamp ventilation system
- LCD-Display with remaining time inside
- Acrylic protection panels in front of the lamps
- High-gloss lamp reflectors
- Visual patient monitoring (by window or mirror)
- Self-Test-System
- Door hinge possible on the right or left
- 2 handles for patients
- Sturdy metal casing with plastic coating
- Remote network control, e.g. from the reception desk (as option)

**medisun® 2800 Innovation,
XXL version**



Product video
www.medisun.de/en

EFFECTIVE TREATMENT OF PSORIASIS, NEURODERMATITIS, VITILIGO AND OTHER SKIN DISEASES

The **medisun® 2800 Innovation** permits safe and efficient treatment of the entire body with comfortable operation. Two casing versions are available, either in the standard version with the interior size of 72 x 72 cm or in the XXL version of at 90 x 90 cm.

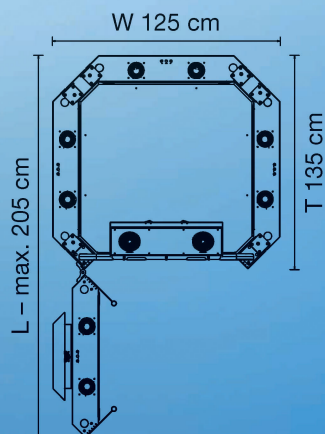
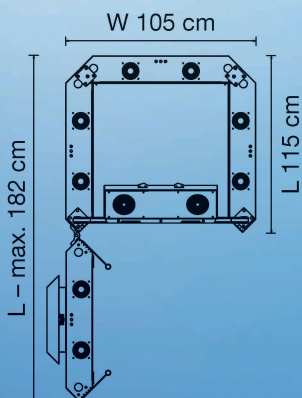
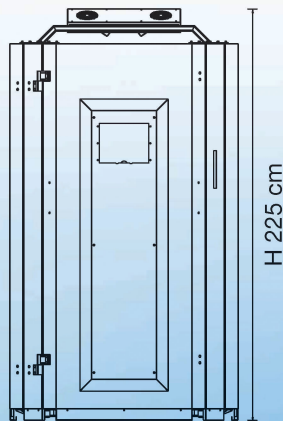
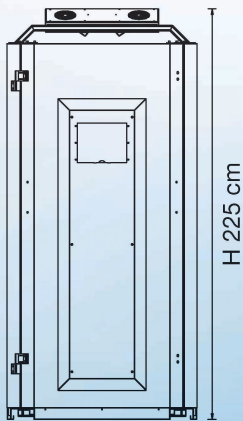
SHORT EXPOSURE TIMES

The high UV intensity of the medisun therapy lamps ensure short exposure times. High-gloss aluminium reflectors behind the UV lamps optimize the efficiency.



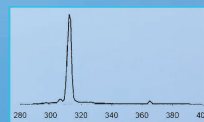
Standard version

XXL version

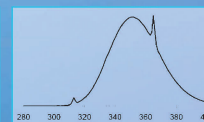


INDICATIONS

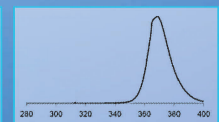
- Psoriasis
- Atopic dermatosis
- Vitiligo
- PUVA therapy / Balneo therapy
- Polymorphous light dermatosis (PLD)
- and other skin diseases



UVB-311



UVA



UVA-1

medisun® color-design

INDIVIDUAL COLOUR ACCENTS FOR YOUR PRACTICE

The medisun® 2800 Innovation can be ordered in your preferred color application to match your clinic or practice environment.



TECHNICAL DATA

	DESCRIPTION	Art.-No.
DIMENSIONS	W 105 cm x L 115 cm x H 225 cm (standard), inner sizes 72 x 72 cm W 125 cm x L 135 cm x H 225 cm (XXL), inner sizes 90 x 90 cm	
OUTPUT	2.5 to 5.0 kW	
WEIGHT	320 to 400 kg	
MAINS CONNECTION	400 V / 3 x 16 A or 230 V / 1 x 32 A (44 lamps) 230 V / 1 x 16 A (up to 24 lamps)	
VERSIONS	24 A (UVA-Mono, 24-UV-lamps, Touch-PC, 230 V) 20 B (UVB ₃₁₁ -Mono, 20-UV-lamps, Touch-PC, 230 V) 44 A (UVA-Mono, 44-UV-lamps, Touch-PC, 400 V) 44 B (UVB ₃₁₁ -Mono, 44-UV-lamps, Touch-PC, 400 V) 44 AB (UVA/UVB ₃₁₁ , 44-UV-lamps, Touch-PC, 400 V) 44 A XXL (UVA-Mono, 44-UV-lamps, Touch-PC, 400 V) 44 B XXL (UVB ₃₁₁ -Mono, 44-UV-lamps, Touch-PC, 400 V) 44 AB XXL (UVA/UVB ₃₁₁ , 44-UV-lamps, Touch-PC, 400 V)	Item no. 1802 Item no. 1710 Item no. 7775 Item no. 7776 Item no. 7777 Item no. 7907 Item no. 7908 Item no. 7909
OPTIONAL	Permanent-UV-measurement (4 sensors) Medisoft therapy management package	
CERTIFICATION	CE 0197	
WEEE-REG.-NO.	DE 91065138	

Technical changes reserved.

Distributed in the UK by

ATHRODAX
HEALTHCARE INTERNATIONAL LTD

Hawthorn Business Park, Drybrook, Glos. GL17 9HP

Telephone: 01594 544440 Fax: 01594 545800

Email: sales@athrodax.co.uk

Web: www.athrodax.co.uk



SCHULZE & BÖHM GmbH
Hermülheimer Str. 10
D-50321 Brühl
Germany